

UNITED STATES PATENT AND TRADEMARK OFFICE
CERTIFICATE OF CORRECTION

PATENT NO. : 6,781,248 B2
DATED : August 24, 2004
INVENTOR(S) : Chong Chin Hui, Lee Kian Chai and Jason Pittam

Page 1 of 3

It is certified that error appears in the above-identified patent and that said Letters Patent is hereby corrected as shown below:

Drawings.

Figure 3, switch reference numerals "24" and "34" (as shown on attached page).

Figure 4, add reference numeral -- 20 -- and appropriate lead line (as shown on attached page).

Figure 4A, insert two lead lines extending from "40" toward the depicted conductive elements (as shown on the attached page).

Column 2.

Lines 5-6, delete "[as the contacts pads]".

Line 21, change "thereof" to -- thereof. --.

Column 4.

Line 30, change "production" to -- introduction --.

Line 50, before "backside" change "the" to -- a --.

Column 11.

Line 60, delete "sad".

Column 12.

Line 1, delete "said".

Line 67, change "& the" to -- the --.

Column 13.

Lines 16 and 30, delete "so".

Line 21, delete "sa".

UNITED STATES PATENT AND TRADEMARK OFFICE
CERTIFICATE OF CORRECTION

PATENT NO. : 6,781,248 B2
DATED : August 24, 2004
INVENTOR(S) : Chong Chin Hui, Lee Kian Chai and Jason Pittam

Page 2 of 3

It is certified that error appears in the above-identified patent and that said Letters Patent is hereby corrected as shown below:

Column 14,

Line 47, change "s*the" to -- the --.

Column 15,

Line 27, delete "exposed to".

Line 28, delete "s %".

Line 35, delete "so".

Column 16,

Lines 29 and 35, delete "so".

Line 30, change "clement" to -- element --.

Signed and Sealed this

Sixth Day of June, 2006



JON W. DUDAS
Director of the United States Patent and Trademark Office

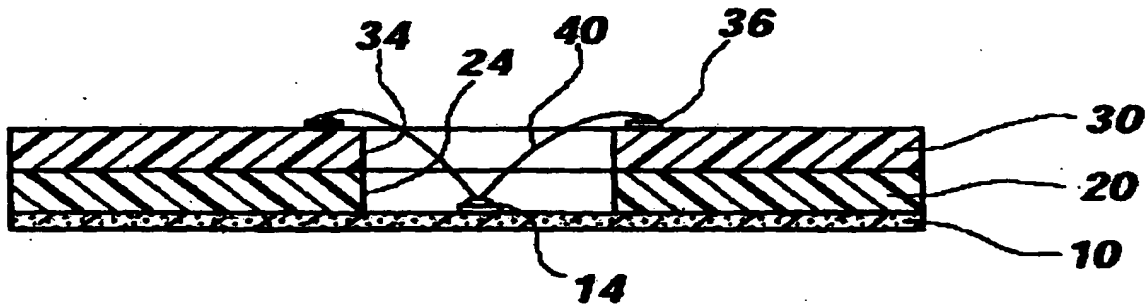


Fig. 3

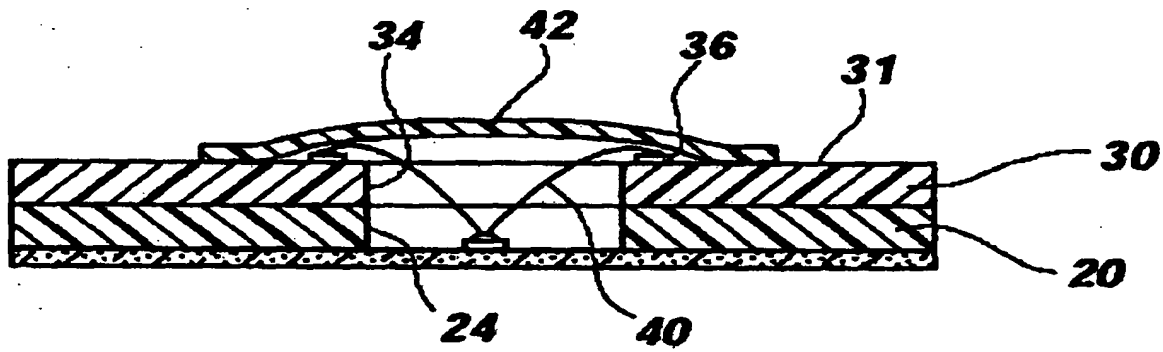


Fig. 4

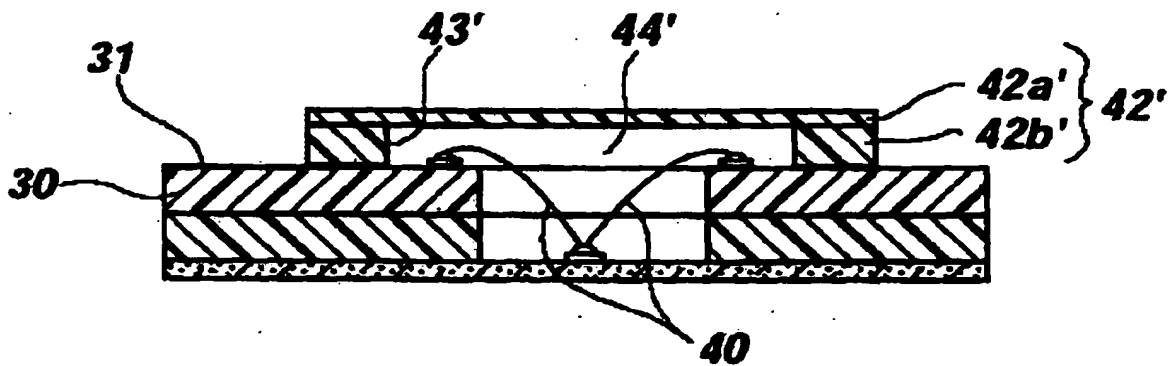


Fig. 4A